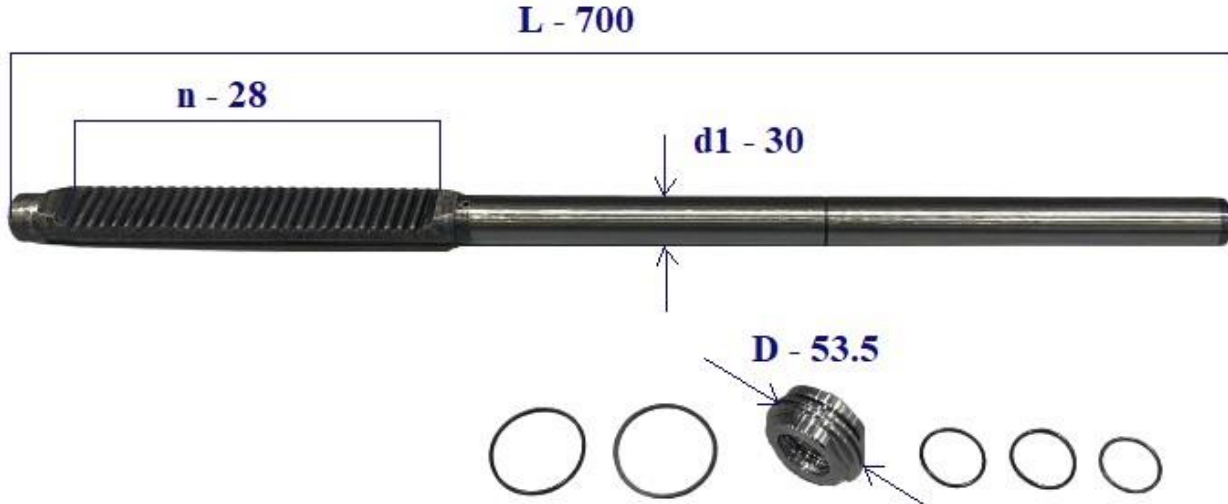




Steering rack bar Part No.20150487



***Triangular rack bar**

Application
(L - 700, d1 - 30, n - 28, D - 53.5) MERCEDES-BENZ SPRINTER 906 (2006-); VOLKSWAGEN CRAFTER (2006-2017)

FITS THE FOLLOWING

Rack part number	Crossreferences	Application
ATGR21401RB	Bosch KS01000014 MERCEDES 906460040080, 9064601700, A906460080080, 9064600200, 906460130, A9064600600, 906460060080, A906460020080, A906460130080, 9064600400, 906460130080, A9064600800, 906460080080, A906460040080, 9064600600, A9064600200, A9064601300, 906460020080, 9064601300, A906460060080, 9064600800, A9064600400, A9064601700	Mercedes-Benz Sprinter 906 (2006-2018) Volkswagen Crafter (2012-2017) Crafter (2006-2011)



	<p>VAG</p> <p>2E1419061, 2E1419061DX, 2E1419061C, 2E1419061AX, 2E1422055A, 2E1419061D, 2E1419061BX, 2E1422055BX, 2E1419061A, 2E1419061X, 2E1419061CX, 2E1419061B, 2E1422055B</p>	
--	--	--

More new products at <https://www.atg-components.com/warehouse-news>